

# BULK SOLIDS HANDLING EQUIPMENT

## GEAR REDUCER 齿轮减速器

### Gear Reducer M49 Series

### M49 & Z49系列齿轮减速器

M49&Z49 系列齿轮减速器适用于ES.TU.TC.TS管式螺旋输送机 and 喂料机。  
M49 series gear reducer suitable for ES.TU.TC.TS tubular screw conveyor and feeder.

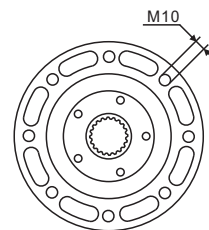
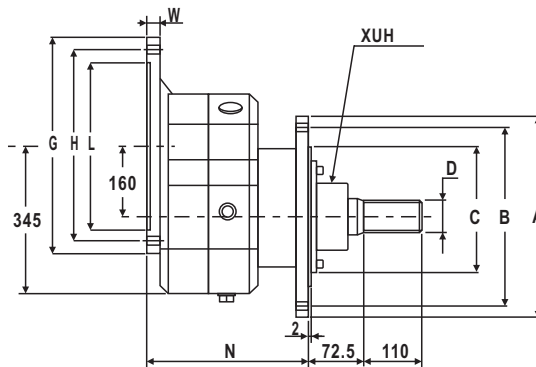
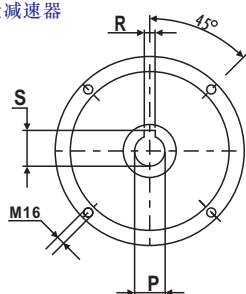


# M49 Z49



系列号Type	M	Z	160=马达尺寸 Motor Size	160=11-15kW	180=马达尺寸 Motor Size	180=18.5-22kW	200=马达尺寸 Motor Size	200=30kW
Code 代号	M	4	9					E S
			05=速比 ratio 1:5 (15kw-30kw)		07=速比 ratio 1:7 (15kw-18.5kw)		10=速比 ratio 1:10 (11kw-18.5kw)	螺旋 Ø Feeder
								3= Ø 219
								4= Ø 273
								5= Ø 323

Gear Reducer  
齿轮减速器



#### 连接尺寸 CONNECTION SIZE

马达尺寸 Motor Size	ØG	ØH	ØL	N	P	R	S	W
160	350	300	250	304	42	12	45.3	22
180	350	300	250	304	48	14	51.8	22
200	400	350	300	304	55	16	59	22

齿轮减速箱 Gear reducer	Ø螺旋 Ø Feeder	ØA	ØB	ØC	DIN5482 ØD	Kg
M49..ES3	219	275	250	210	60x55	120
M49..ES4	273	330	305	265	60x55	120
M49..ES5	323	405	370	315	60x55	120
RM49..ES5	323	405	360	315	60x55	120

Dimensions in mm

# BULK SOLIDS HANDLING EQUIPMENT

## GEAR REDUCER

### Gear Reducer M4 Series



Code **M 4 9 1 0 1 8 0 E S 5**

Type	Gear reducer size	Ratio	Motor size	ØFeeder
------	-------------------	-------	------------	---------

kW	i	Electric motor/ Gear ratio / Feeder diameter /								
		114	139	168	193	219	273	323		
		1.1	1/5							
Size 90S	1/7	M4107090ES0								
	1/10	M4110090ES0								
	1.5	1/5	M4105090ES0	M4105090ES0						
Size 90L	1/7	M4107090ES0	M4107090ES0							
	1/10	M4310090ES0	M4310090ES0	M4310090ES1						
	2.2	1/5	M4105100ES0	M4105100ES0						
Size 100LR	1/7	M4307100ES0	M4307100ES0	M4307100ES1	M4307100ES2					
	1/10	M4310100ES0	M4310100ES0	M4310100ES1	M4310100ES2					
	3	1/5	M4105100ES0	M4105100ES0	M4305100ES1					
Size 100LH	1/7	M4307100ES0	M4307100ES0	M4307100ES1	M4307100ES2					
	1/10			M4510100ES1	M4510100ES2	M4510100ES3				
	4	1/5		M4305112ES0	M4305112ES1	M4305112ES2				
Size 112M	1/7			M4307112ES1	M4307112ES2	M4307112ES3				
	1/10			M4510112ES1	M4510112ES2	M4510112ES3				
	5.5	1/5			M4305132ES1	M4305112ES2	M4305132ES3			
Size 132S	1/7				M4507132ES2	M4507132ES3	M4507132ES4			
	1/10				M4710132ES2	M4710132ES3	M4710132ES4			
	7.5	1/5			M4505132ES1	M4505132ES2	M4505132ES3			
Size 132M	1/7				M4507132ES2	M4507132ES3	M4507132ES4			
	1/10				M4710132ES2	M4710132ES3	M4710132ES4	M4710132ES5		
	9.2	1/5				M4505132ES2	M4505132ES3			
Size 132L	1/7					M4707132ES3	M4707132ES4			
	1/10					M4710132ES3	M4710132ES4	M4710132ES5		
	11	1/5					M4505160ES3			
Size 160M	1/7						M4707160ES3	M4707160ES4	M4707160ES5	
	1/10						M4910160ES3	M4910160ES4	M4910160ES5	
	15	1/5						M4705160ES3		
Size 160L	1/7							M4707160ES4	M4907160ES5	
	1/10							M4910160ES4	M4910160ES5	
	18.5	1/5								
Size 180M	1/7									
	1/10								M4907180ES4	M4907180ES5
	22	1/5								M4910180ES5
Size 180L	1/7									M4907180ES5
	1/10									M4910180ES5
	30	1/5								
Size 200L	1/7									M4907200ES5
	1/10									M4910200ES5

Standard gear reducer

Dimensions in mm